

Davit System Order Form

CONTACT

VESSEL OWNER

NAME

CITY STATE/PROVINCE

PHONE EMAIL

SEA WISE REPRESENTATIVE

NAME

CITY STATE/PROVINCE

PHONE EMAIL

DAVIT

Manual Hydraulic POST/TOWER Port Starboard Removable LATCH BARS Removable

MAIN VESSEL

MAKE YEAR

MODEL

SWIM PLATFORM Fiberglass Wood Enclosed Slatted

DINGHY

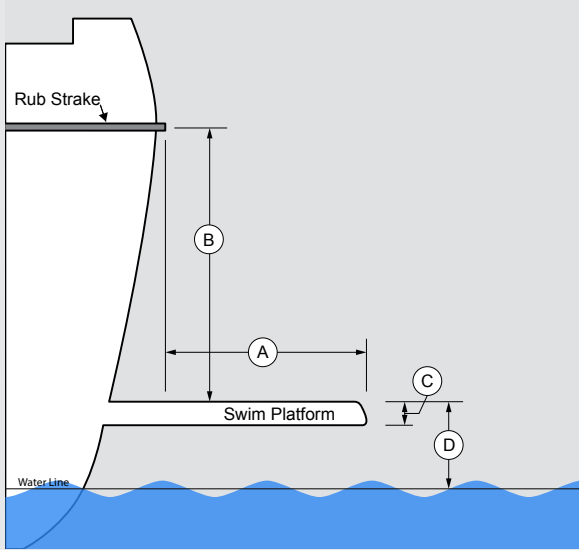
MAKE YEAR

MODEL

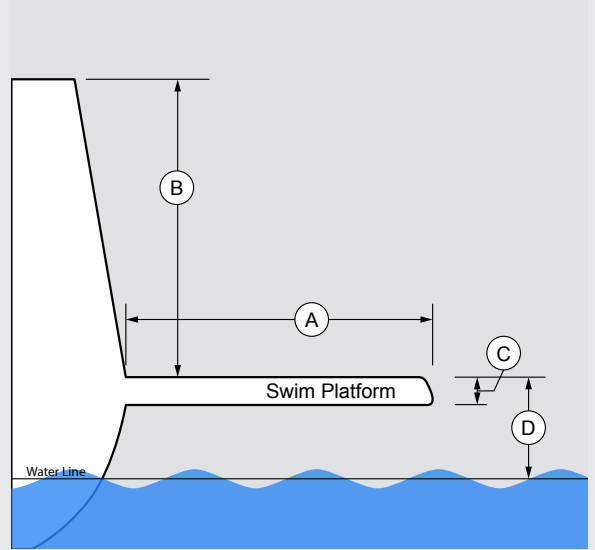
MOTOR MAKE HORSEPOWER

2-stroke 4-stroke Pull Start Electric Start Short Shaft Long Shaft Manual Trim Power Trim

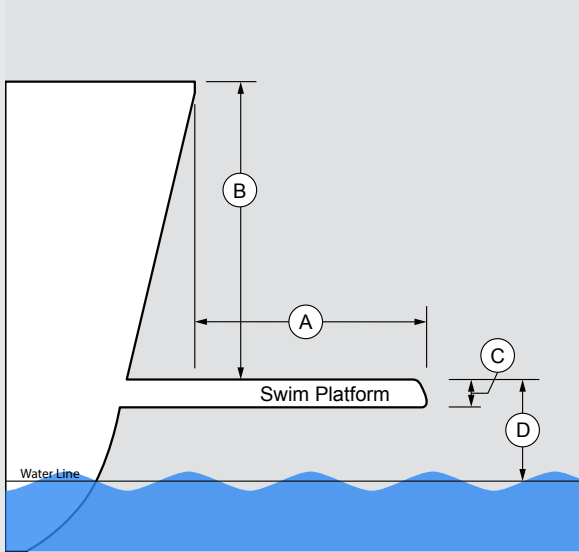
This looks like my vessel →



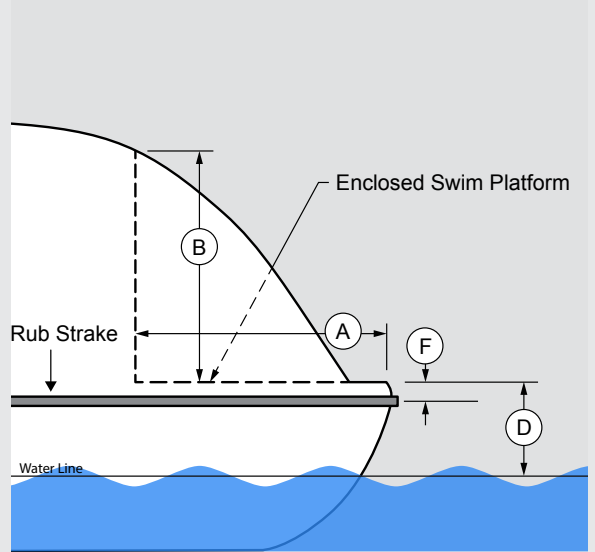
This looks like my vessel →



This looks like my vessel →



This looks like my vessel →



If your swim platform has a pointed edge, please measure the distance from the point to the top of the platform: see detail E in diagram below.

SWIM PLATFORM MEASUREMENTS

Depth →

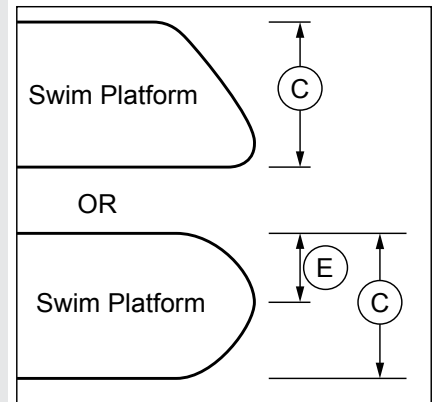
Height →

Thickness →

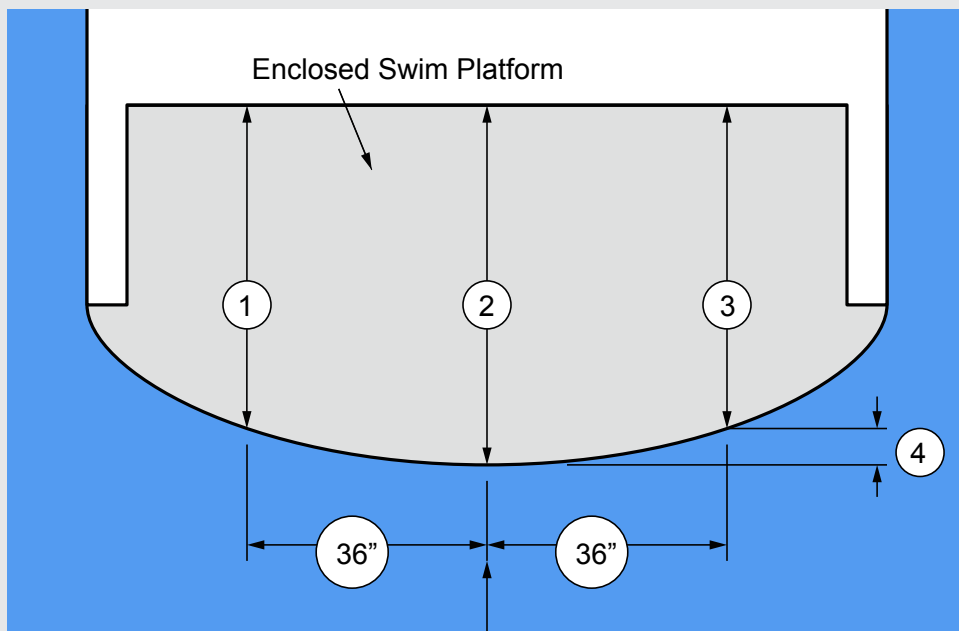
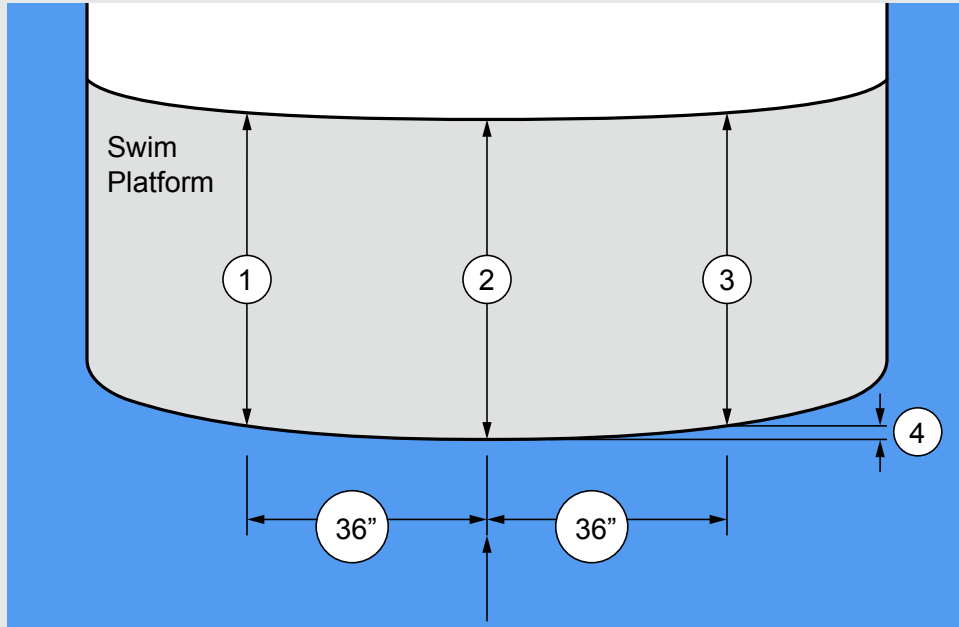
To water line →

Point (if present) →

Top to rub strake →



SWIM PLATFORM DEPTH MEASUREMENTS



SWIM PLATFORM MEASUREMENTS

Depth 36" port of center line →

Depth at center line →

Depth 36" starboard of center line →

Curvature 36" from center line →

Please sketch any doors, lockers, ladders, and other fixtures on the transom and swim platform (with measurements) on appropriate diagram above.

DINGHY MEASUREMENTS

Beam → Length →

Transom thickness excluding any plates and/or lip →

Tube diameter → Top of tube to top of transom →

Is transom higher than top of tube? → Yes No

Tube length from aft of transom to aft end of tube →

Steering console → Yes No Latch pad color → Grey White

Refer to the next page for the following measurements

Engine mount hole pattern → 2-bolt 4-bolt slotted

Bolt-hole & slot width (hole/slot centers) → A B

Narrowest point of engine mount → C

Distance to bolt hole(s) (hole centers) → D E F G

Distance to top of slot → H

Length of slot → I

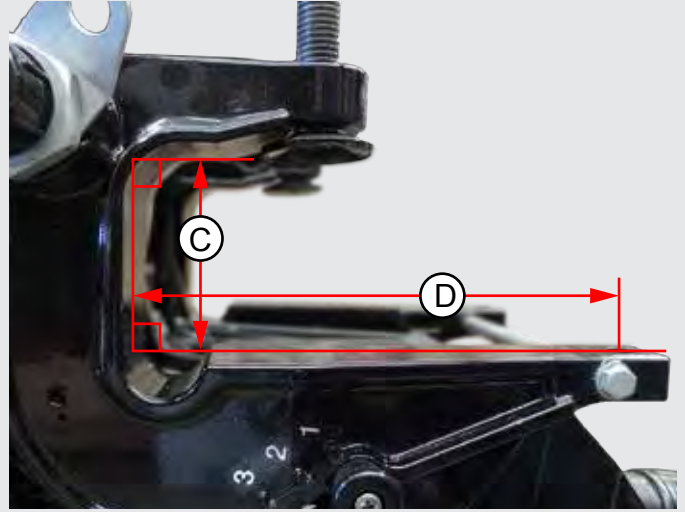
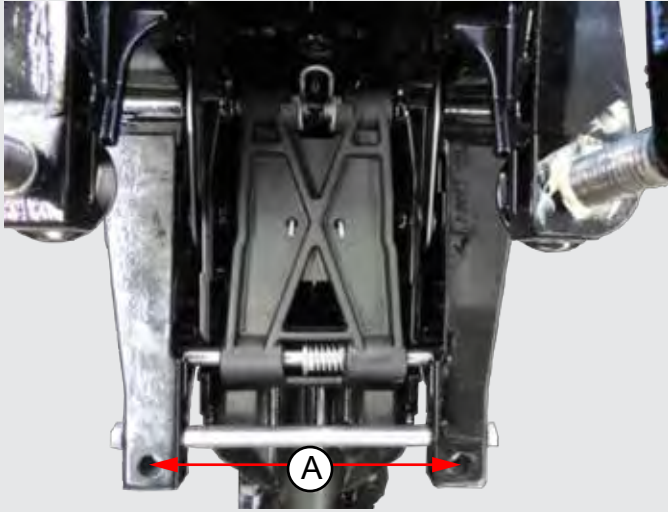
**Please submit this form either by fax or email.
Contact us if you require assistance completing the form.**



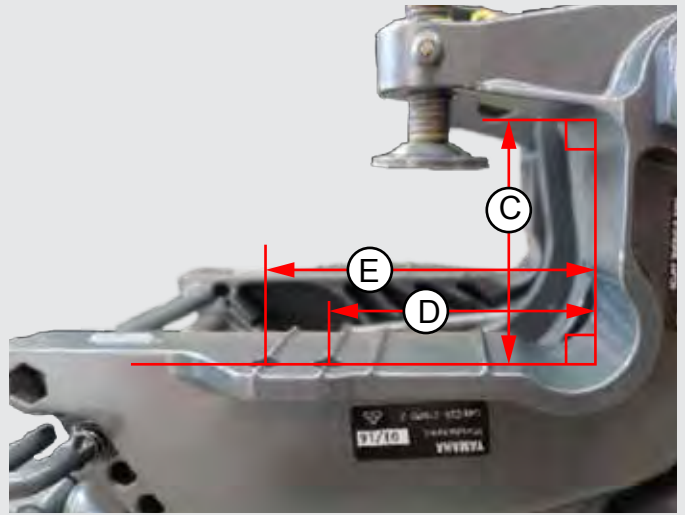
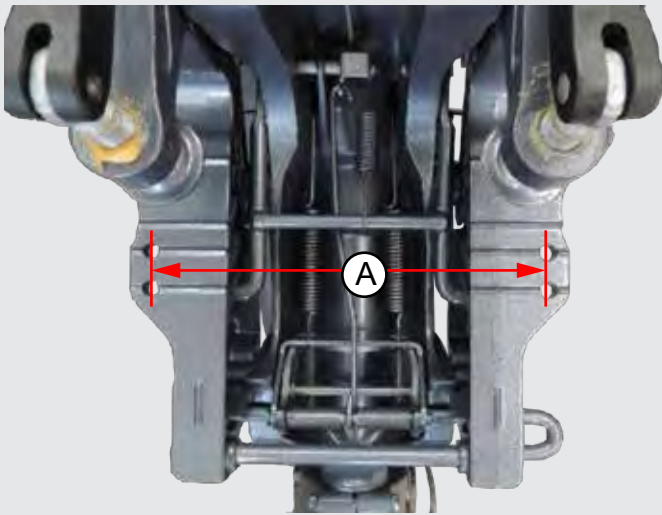
Phone: 604-946-0551
 Fax: 604-946-6665
 Toll Free: 1-866-732-9473
 Email: stuart@seawisemarine.com

Note: Sea Wise Marine is not responsible for any costs incurred due to incorrect or missing information.

My dinghy motor has 2-bolt pattern →



My dinghy motor has 4-bolt pattern →



My dinghy motor has slot pattern →

