

# Davit System Order Form

CONTACT

VESSEL OWNER

NAME

CITY  STATE/PROVINCE

PHONE  EMAIL

SEA WISE REPRESENTATIVE

NAME

CITY  STATE/PROVINCE

PHONE  EMAIL

DAVIT

Manual Hydraulic   POST/TOWER  Port  Starboard  Removable  LATCH BARS  Removable

MAIN VESSEL

MAKE  YEAR

MODEL

SWIM PLATFORM  Fiberglass  Wood  Enclosed  Slatted

DINGHY

MAKE  YEAR

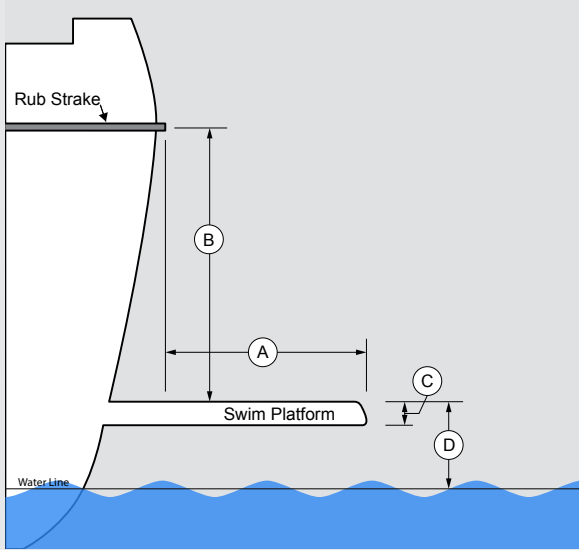
MODEL

MOTOR

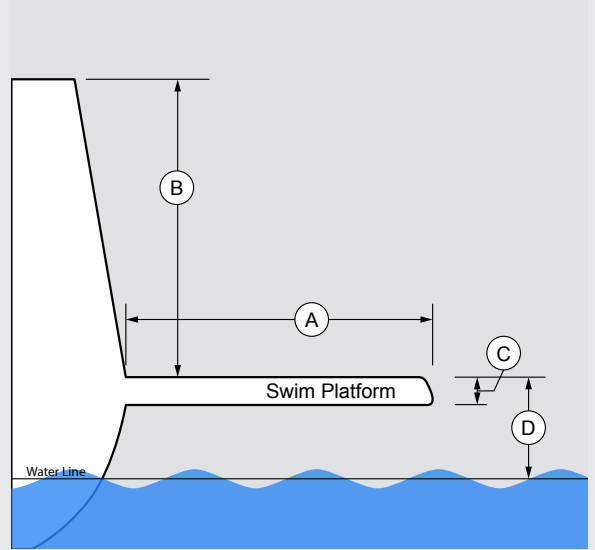
MAKE  YEAR  HORSEPOWER

2-stroke  4-stroke  Pull Start  Electric Start  Short Shaft  Long Shaft  Manual Trim  Power Trim

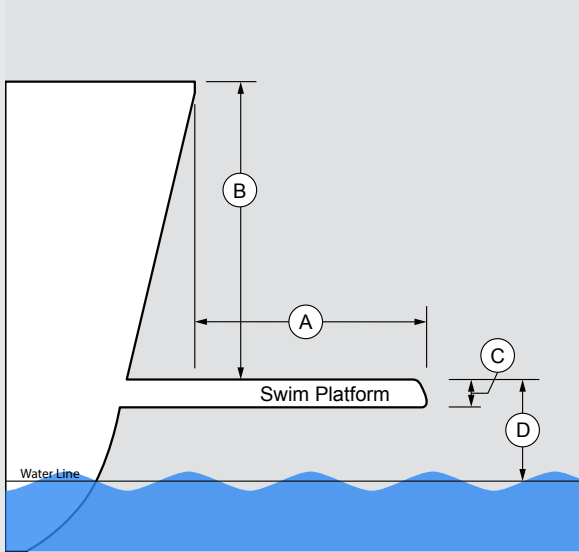
This looks like my vessel →



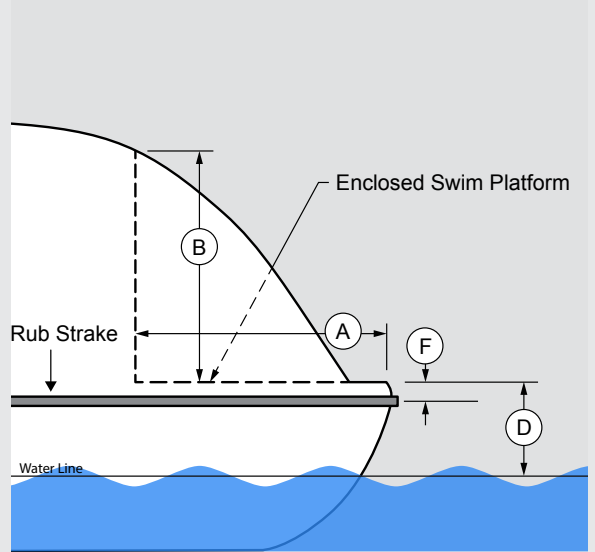
This looks like my vessel →



This looks like my vessel →



This looks like my vessel →



If your swim platform has a pointed edge, please measure the distance from the point to the top of the platform: see detail E in diagram below.

SWIM PLATFORM MEASUREMENTS

Depth →

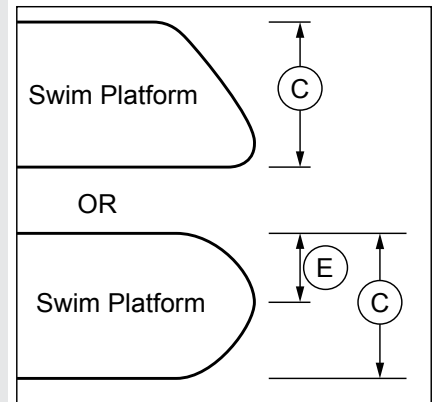
Height →

Thickness →

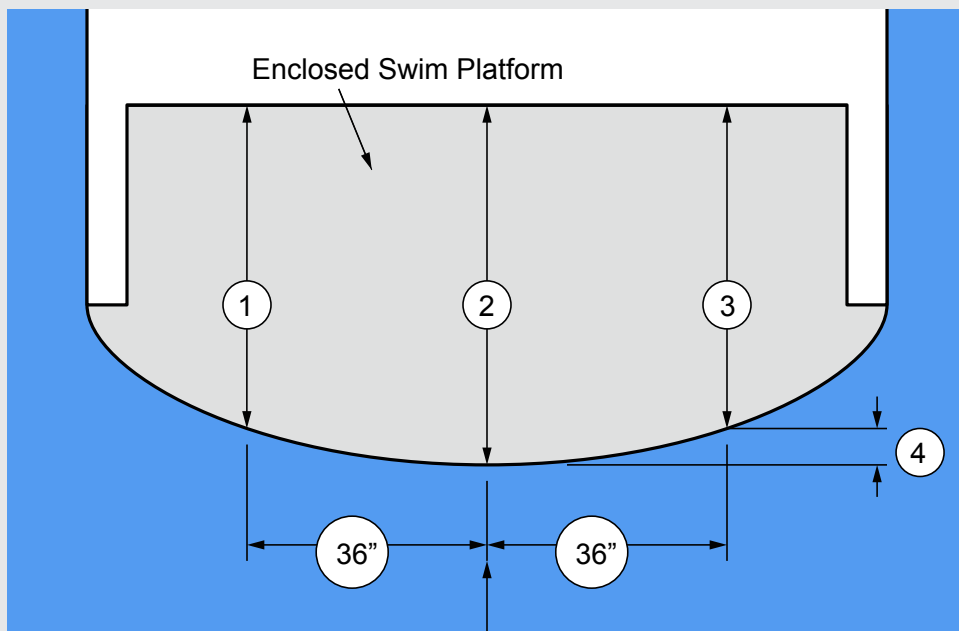
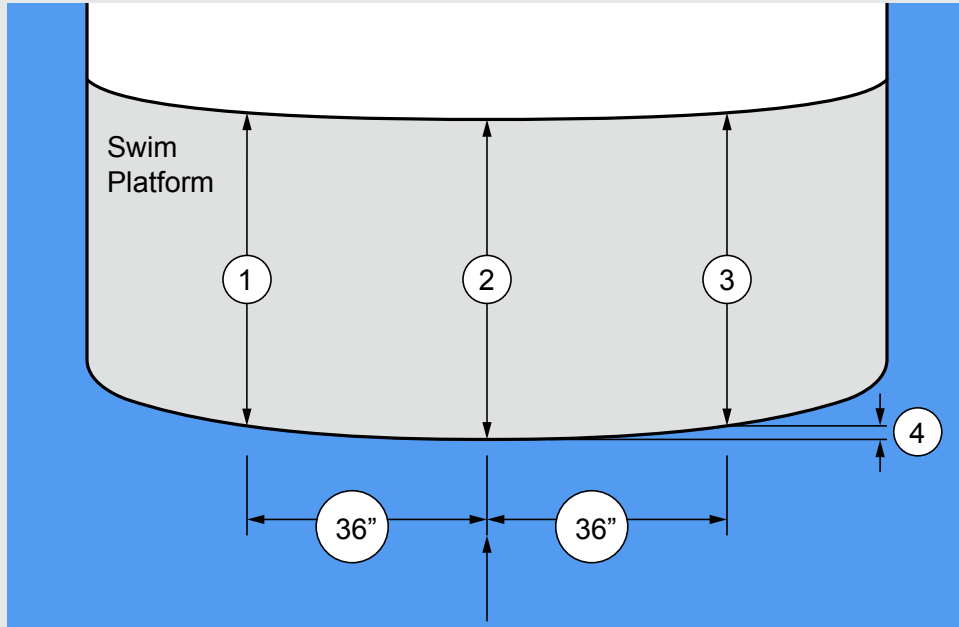
To water line →

Point (if present) →

Top to rub strake →



SWIM PLATFORM DEPTH MEASUREMENTS



SWIM PLATFORM MEASUREMENTS

Depth 36" port of center line →

Depth at center line →

Depth 36" starboard of center line →

Curvature 36" from center line →

Please sketch any doors, lockers, ladders, and other fixtures on the transom and swim platform (with measurements) on appropriate diagram above.

DINGHY MEASUREMENTS

Beam  $\longrightarrow$   Length  $\longrightarrow$

Transom thickness excluding any plates and/or lip  $\longrightarrow$

Tube diameter  $\longrightarrow$   Top of tube to top of transom  $\longrightarrow$

Is transom higher than top of tube?  $\longrightarrow$   Yes  No

Tube length from aft of transom to aft end of tube  $\longrightarrow$

Steering console  $\longrightarrow$   Yes  No Latch pad color  $\longrightarrow$   Grey  White

**Refer to the next page for the following measurements**

Engine mount hole pattern  $\longrightarrow$   2-bolt  4-bolt  slotted

Bolt-hole & slot width  $\longrightarrow$   A  B  
(hole/slot centers)

Narrowest point of engine mount  $\longrightarrow$   C

Distance to bolt hole(s)  $\longrightarrow$   D  E  F  G  
(hole centers)

Distance to top of slot  $\longrightarrow$   H

Length of slot  $\longrightarrow$   I

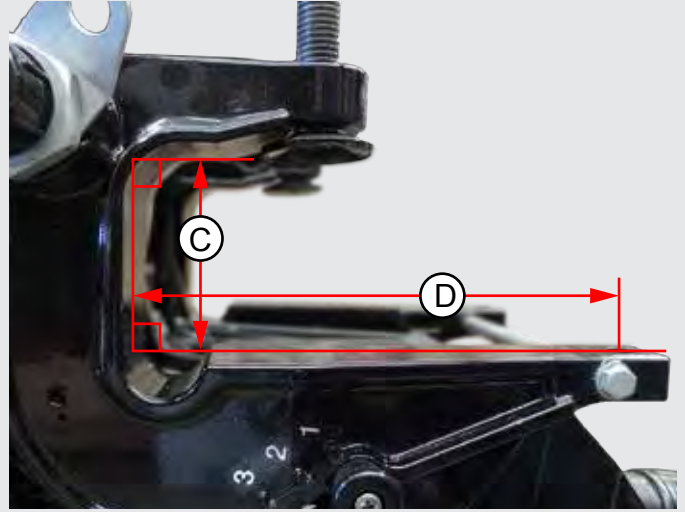
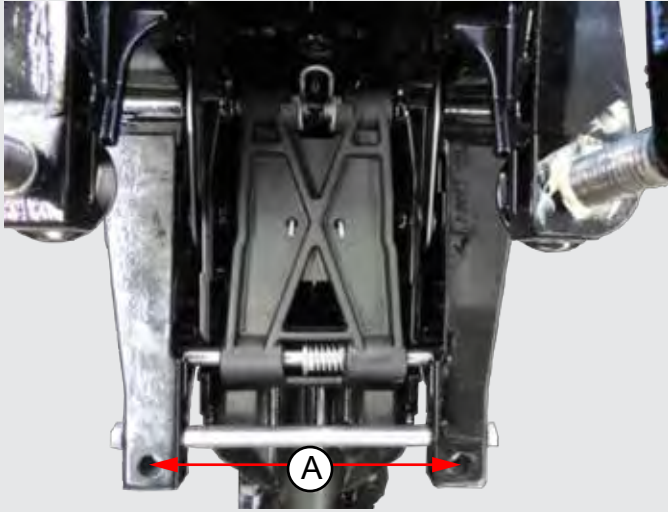
**Please submit this form either by fax or email.  
Contact us if you require assistance completing the form.**



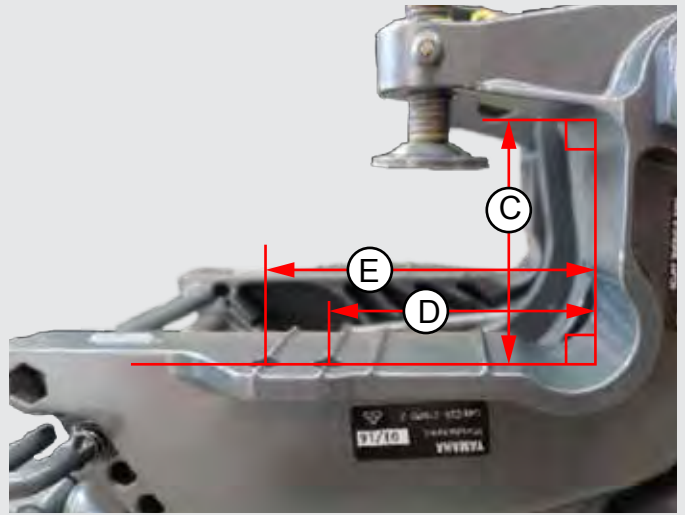
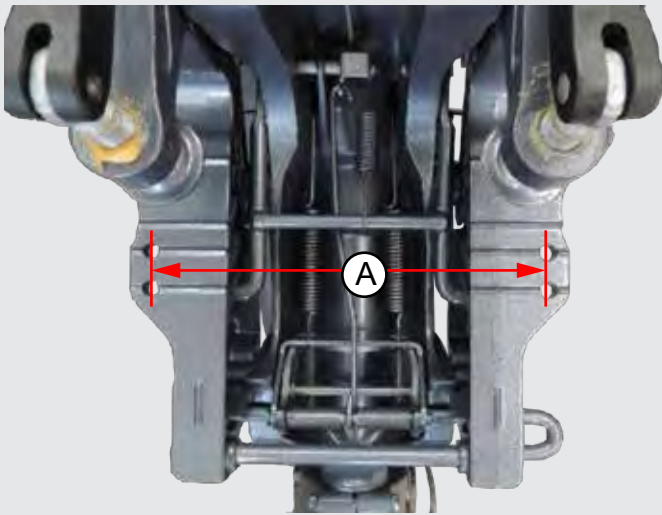
Phone: 604-946-0551  
 Fax: 604-946-6665  
 Toll Free: 1-866-732-9473  
 Email: stuart@seawisemarine.com

*Note: Sea Wise Marine is not responsible for any costs incurred due to incorrect or missing information.*

My dinghy motor has 2-bolt pattern →



My dinghy motor has 4-bolt pattern →



My dinghy motor has slot pattern →

