

Davit System Order Form

CONTACT

VESSEL OWNER

NAME

CITY STATE/PROVINCE ZIP/POST CODE

PHONE EMAIL

SEA WISE REPRESENTATIVE

NAME

CITY STATE/PROVINCE ZIP/POST CODE

PHONE EMAIL

DAVIT

Manual Hydraulic POST/TOWER Port Starboard Removable LATCH BARS Removable

MAIN VESSEL

MAKE YEAR

MODEL

SWIM PLATFORM Fiberglass Wood Enclosed Slatted BEAM AT TRANSOM

DINGHY

MAKE YEAR

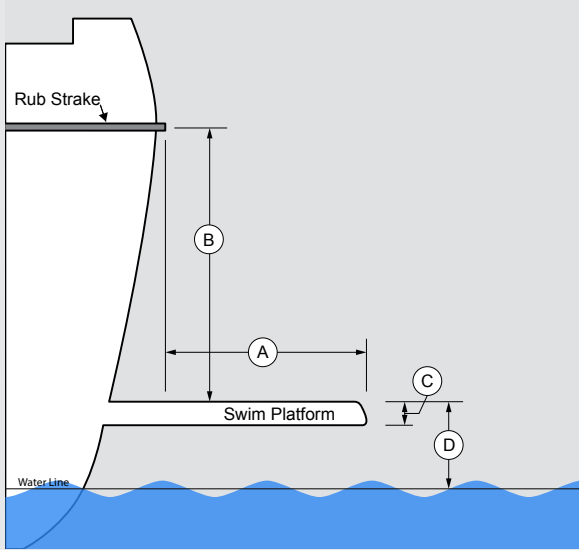
MODEL

MOTOR

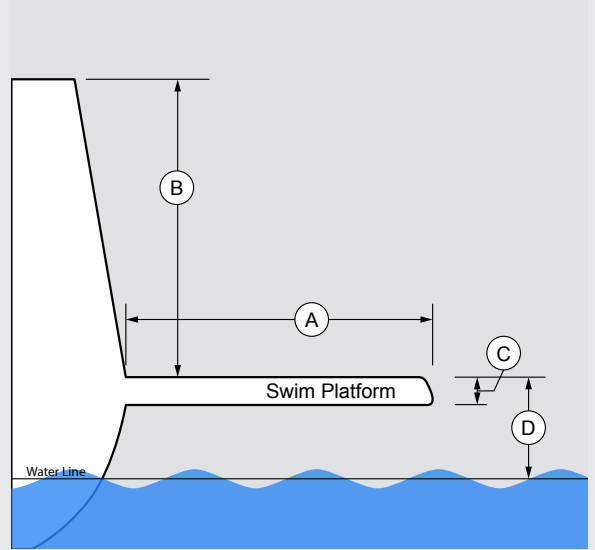
MAKE YEAR HORSEPOWER

2-stroke 4-stroke Pull Start Electric Start Short Shaft Long Shaft Manual Trim Power Trim

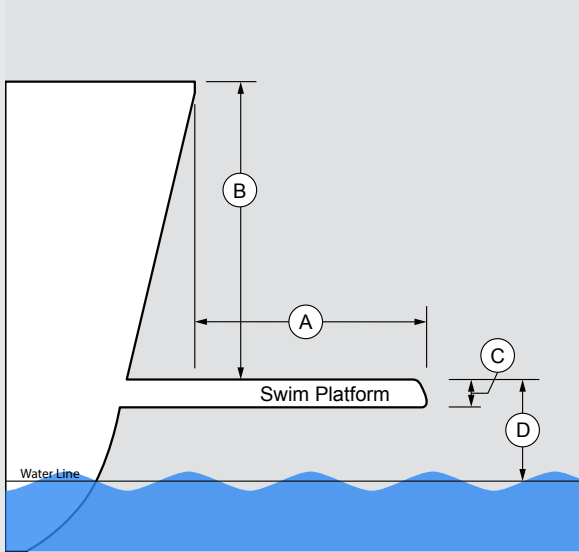
This looks like my vessel →



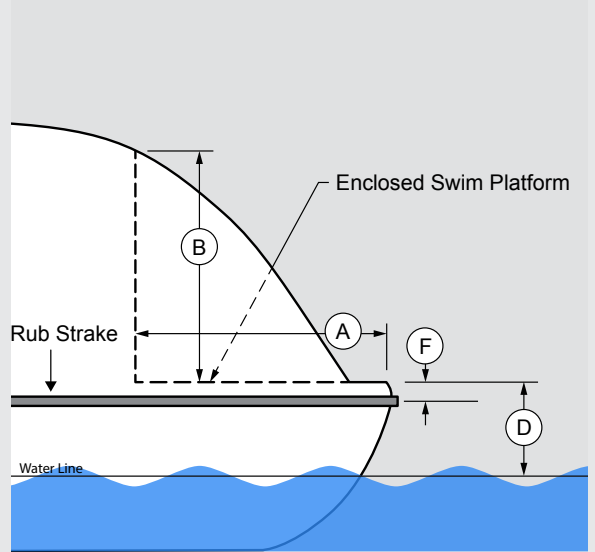
This looks like my vessel →



This looks like my vessel →



This looks like my vessel →



If your swim platform has a pointed edge, please measure the distance from the point to the top of the platform: see detail E in diagram below.

SWIM PLATFORM MEASUREMENTS

Depth →

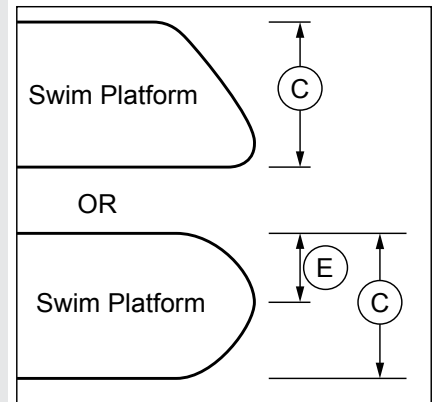
Height →

Thickness →

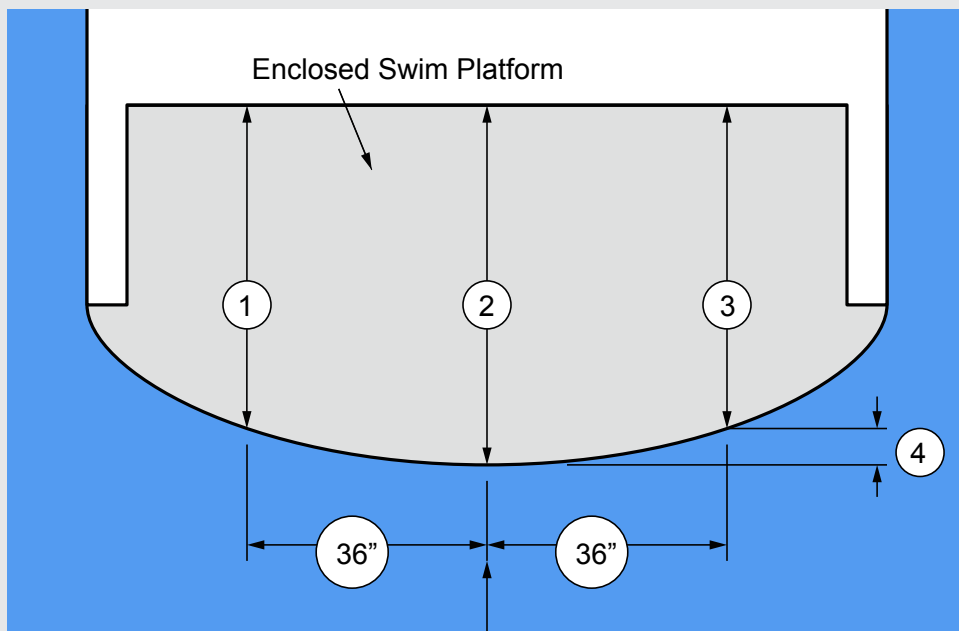
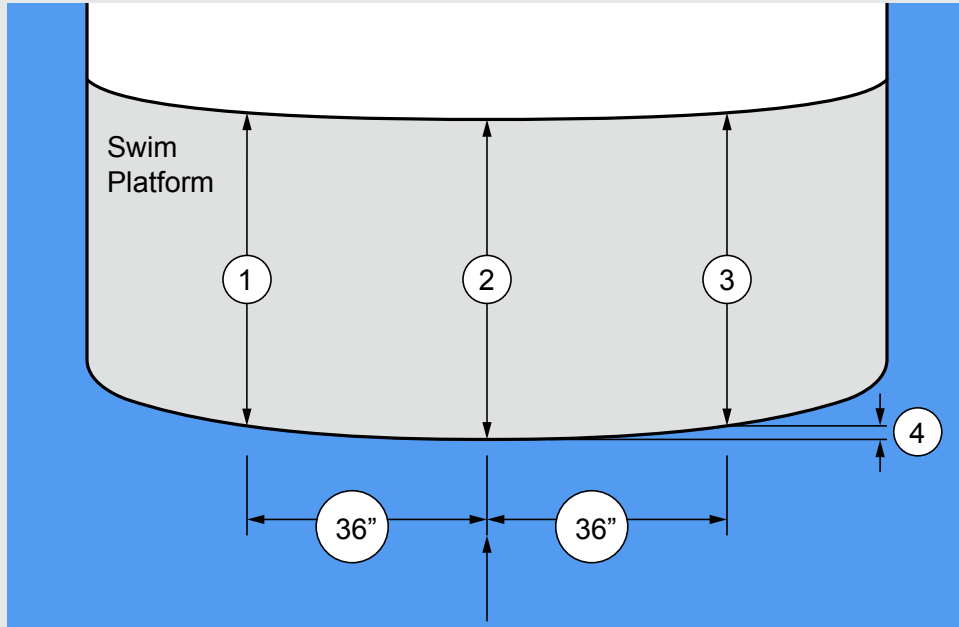
To water line →

Point (if present) →

Top to rub strake →



SWIM PLATFORM DEPTH MEASUREMENTS



SWIM PLATFORM MEASUREMENTS

Depth 36" port of center line → 1

Depth at center line → 2

Depth 36" starboard of center line → 3

Curvature 36" from center line → 4

Please sketch any doors, lockers, ladders, and other fixtures on the transom and swim platform (with measurements) on appropriate diagram above.

DINGHY MEASUREMENTS

Beam \longrightarrow Length \longrightarrow

Transom thickness excluding any plates and/or lip \longrightarrow

Tube diameter \longrightarrow Top of tube to top of transom \longrightarrow

Is transom higher than top of tube? \longrightarrow Yes No

Tube length from aft of transom to aft end of tube \longrightarrow

Steering console \longrightarrow Yes No Latch pad color \longrightarrow Grey White

Refer to the next page for the following measurements

Engine mount hole pattern \longrightarrow 2-bolt 4-bolt slotted

Bolt-hole & slot width \longrightarrow A B
(hole/slot centers)

Narrowest point of engine mount \longrightarrow C

Distance to bolt hole(s) \longrightarrow D E F G
(hole centers)

Distance to top of slot \longrightarrow H

Length of slot \longrightarrow I

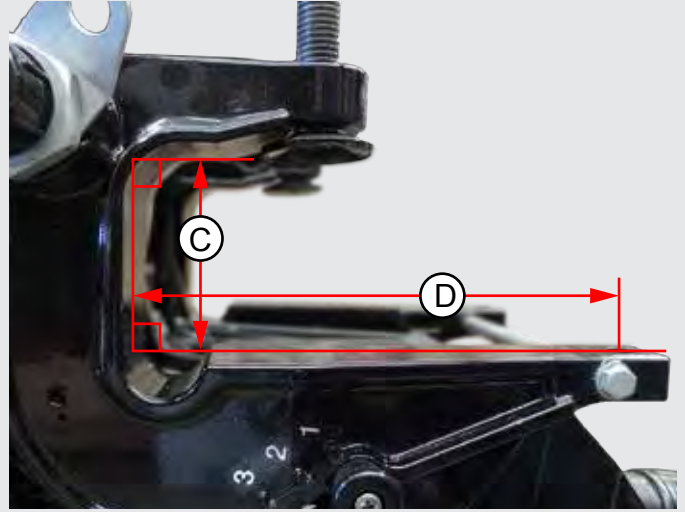
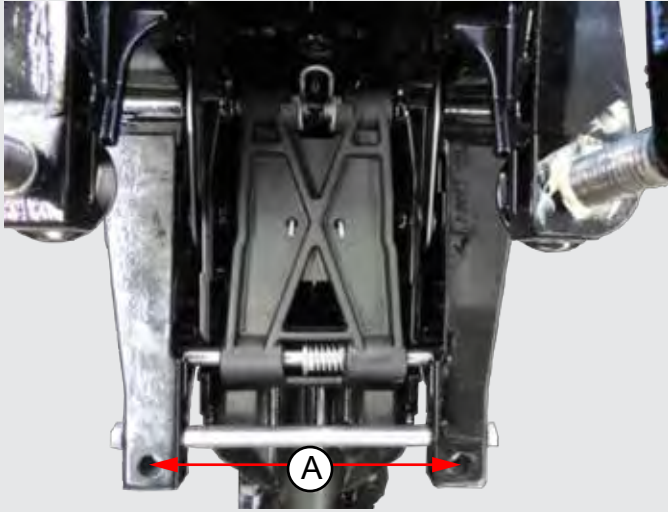
**Please submit this form either by fax or email.
Contact us if you require assistance completing the form.**



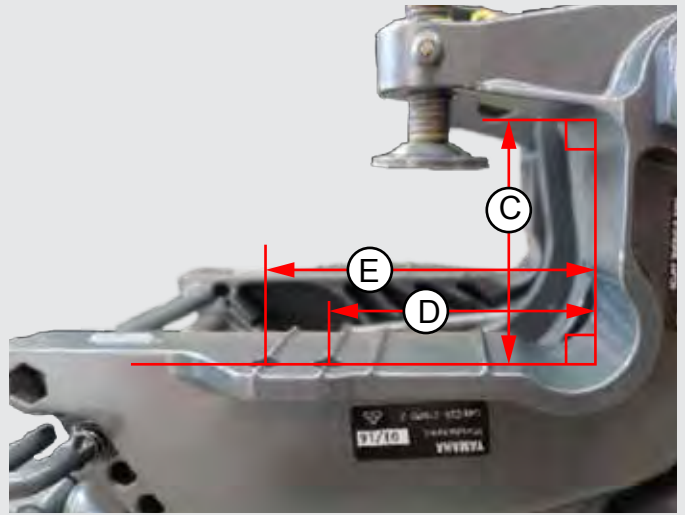
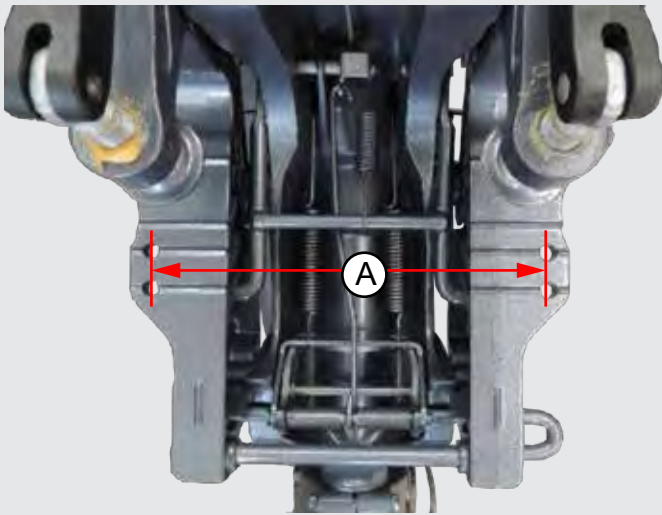
Phone: 604-946-0551
 Fax: 604-946-6665
 Toll Free: 1-866-732-9473
 Email: stuart@seawisemarine.com

Note: Sea Wise Marine is not responsible for any costs incurred due to incorrect or missing information.

My dinghy motor has 2-bolt pattern →



My dinghy motor has 4-bolt pattern →



My dinghy motor has slot pattern →

