

Davit System Order Form



CONTACT

VESSEL OWNER
NAME

ADDRESS

CITY STATE/PROVINCE ZIP/POST CODE

PHONE EMAIL

SEA WISE REPRESENTATIVE
NAME

CITY STATE/PROVINCE ZIP/POST CODE

PHONE EMAIL

MAIN VESSEL DAVIT

DAVIT SYSTEM **Manual** **Electric**

POST **Port** **Starboard** **Removable**

MAKE YEAR

MODEL

SWIM PLATFORM **Fiberglass** **Wood** **Enclosed** **Slotted**

BEAM AT TRANSOM


DINGHY

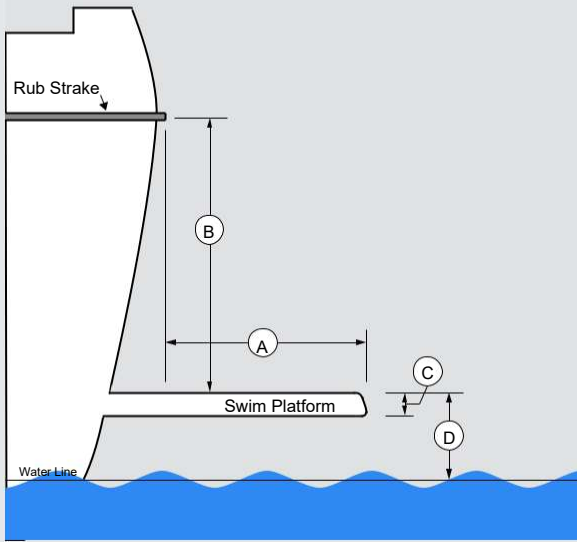
MAKE YEAR


MODEL

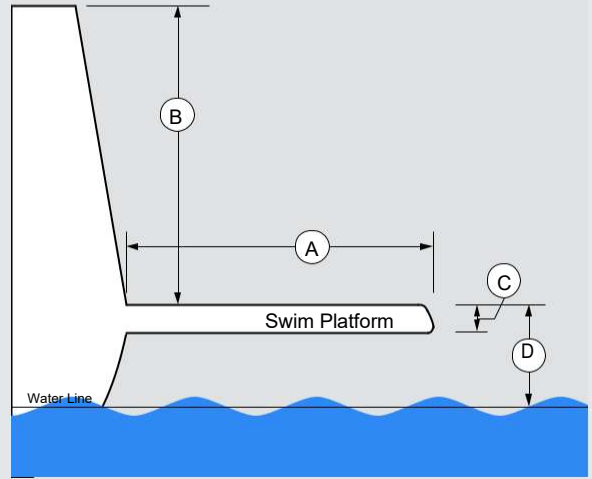
MOTOR MAKE YEAR HORSEPOWER


2-Stroke **4-Stroke** **Pull Start** **Electric Start** **Short Shaft** **Long Start** **Manual Trim** **Power Trim**

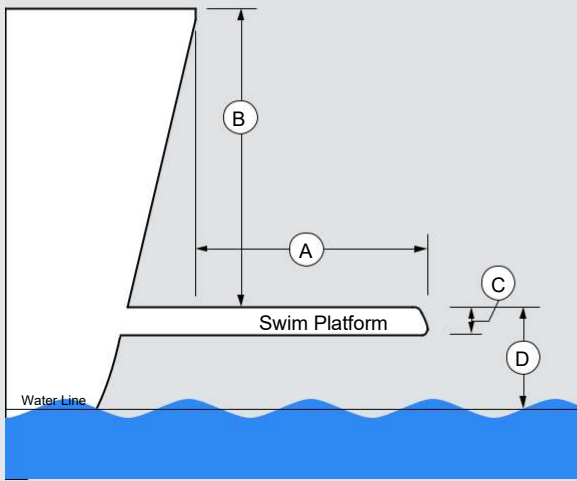
This looks like my vessel 




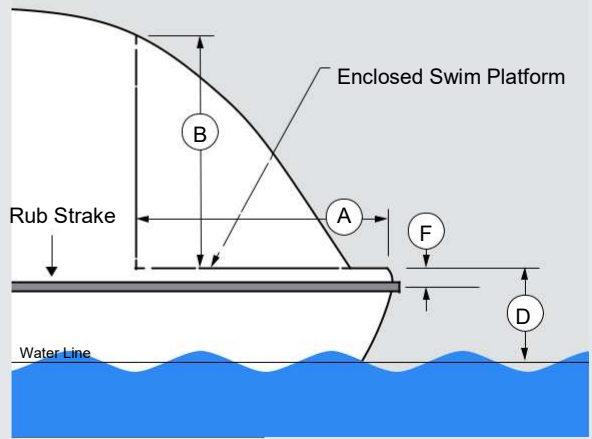
This looks like my vessel 



This looks like my vessel 



This looks like my vessel 





If your swim platform has a pointed edge, please measure the distance from the point to the top of the platform: see detail E in diagram below.


SWIM PLATFORM MEASUREMENTS


Depth  A

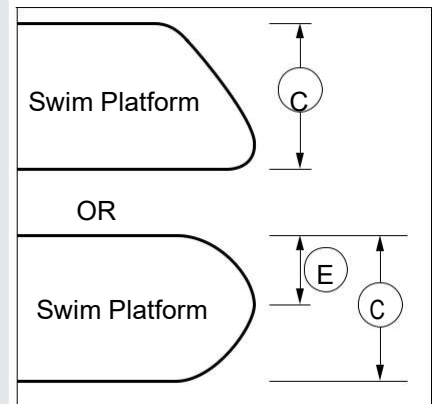
Height  B

Thickness  C

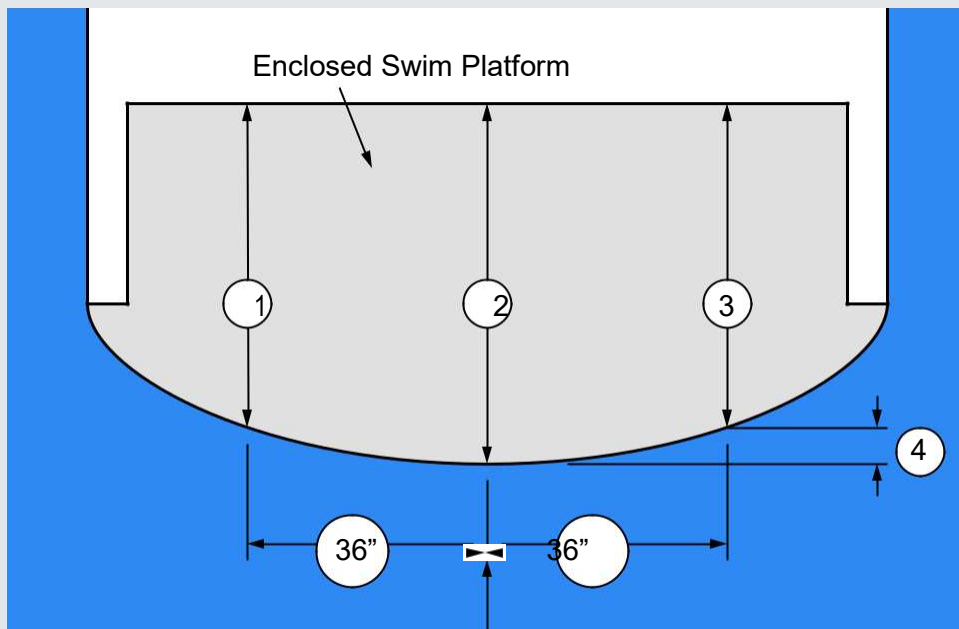
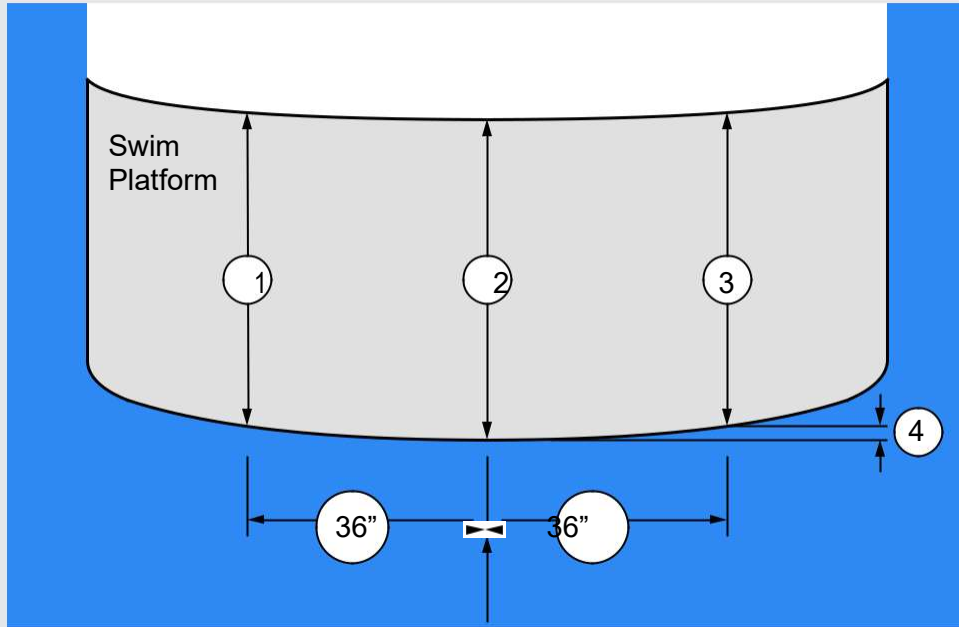
To water line  D

Point (if present)  E

Top to rub strake  F



SWIM PLATFORM DEPTH MEASUREMENTS



SWIM PLATFORM MEASUREMENTS

- Depth 36" port of center line → 1
- Depth at center line → 2
- Depth 36" starboard of center line → 3
- Curvature 36" from center line → 4

Please sketch any doors, lockers, ladders, and other fixtures on the transom and swim platform (with measurements) on appropriate diagram above.

DINGHY MEASUREMENTS

Beam → Length →

Transom thickness excluding any plates and/or lip →

Tube diameter → Top of tube to top of transom →

Is transom higher than top of tube? → Yes No

Tube length from aft of transom to aft end of tube →

Steering console → Yes No Latch pad color → Grey White

Refer to the next page for the following measurements

Engine mount hole pattern → 2-bolt 4-bolt slotted

Bolt-hole & slot width → A B
(hole/slot centers)

Narrowest point of engine mount → C

Distance to bolt hole(s) → D E F G
(hole centers)

Distance to top of slot → H

Length of slot → I

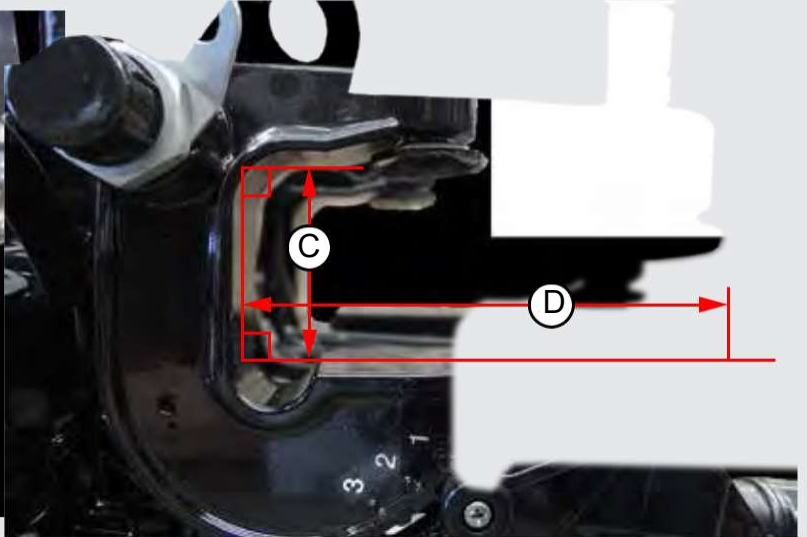
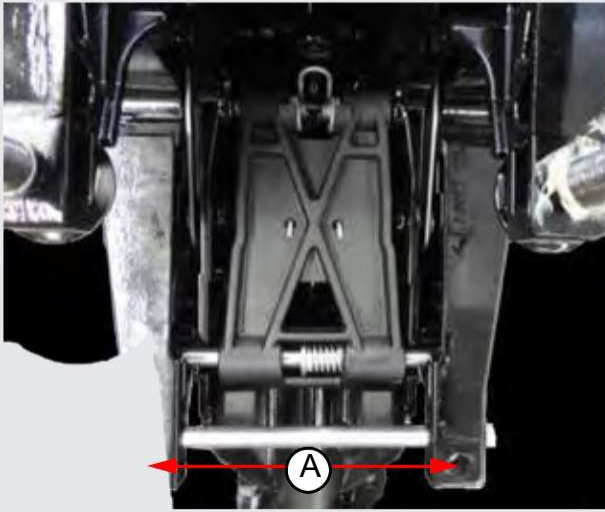
**Please submit this form either by fax or email.
Contact us if you require assistance completing the form.**



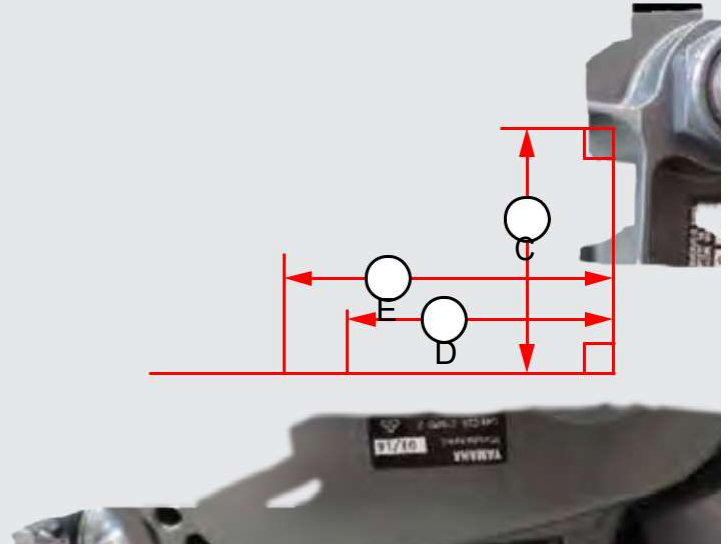
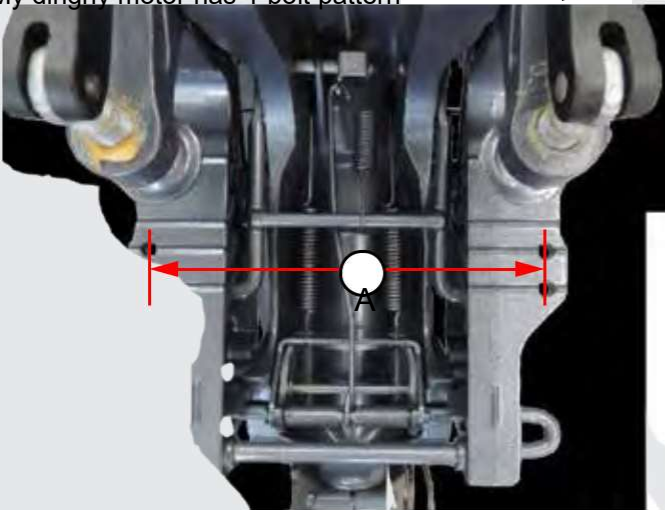
Phone: 604-946-0551
 Fax: 604-946-6665
 Toll Free: 1-866-732-9473
 Email: stuart@seawisemarine.com

Note: Sea Wise Marine is not responsible for any costs incurred due to incorrect or missing information.

My dinghy motor has 2-bolt pattern →



My dinghy motor has 4-bolt pattern →



My dinghy motor has slot pattern →

