

Davit System Order Form



Davit Systems
www.seawisemarine.com

CONTACT

VESSEL OWNER		
NAME		
ADDRESS		
CITY	STATE/PROVINCE	ZIP/POST CODE
PHONE	EMAIL	

SEA WISE REPRESENTATIVE		
NAME		
ADDRESS		
CITY	STATE/PROVINCE	ZIP/POST CODE
PHONE	EMAIL	

MAIN VESSEL DAVIT

DAVIT SYSTEM	Manual	Electric	POST	Port	Starboard	Removable
	<input type="checkbox"/>	<input type="checkbox"/>		<input type="checkbox"/>	<input type="checkbox"/>	<input type="checkbox"/>

MAKE	YEAR
MODEL	


SWIM PLATFORM	Fiberglass	Wood	Enclosed	Slotted	BEAM AT TRANSOM
	<input type="checkbox"/>	<input type="checkbox"/>	<input type="checkbox"/>	<input type="checkbox"/>	<input type="text"/>

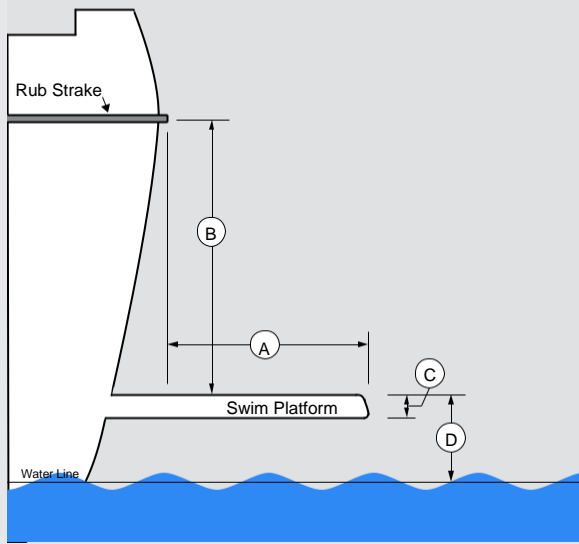
DINGHY

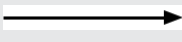
MAKE	YEAR
MODEL	

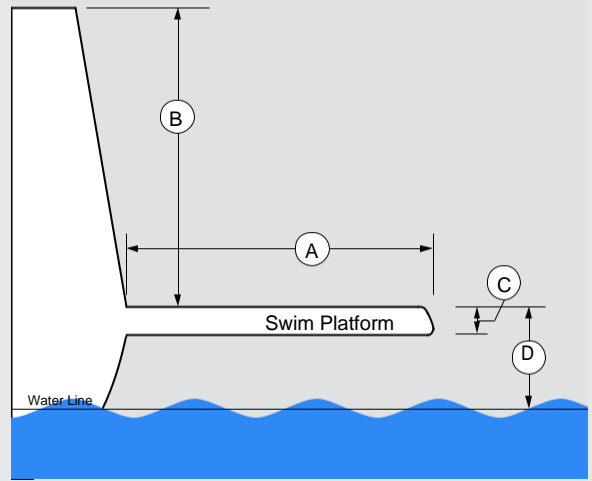
MOTOR MAKE	YEAR	HORSEPOWER
------------	------	------------


2-Stroke	4-Stroke	Pull Start	Electric Start	Short Shaft	Long Start	Manual Trim	Power Trim
<input type="checkbox"/>	<input type="checkbox"/>	<input type="checkbox"/>	<input type="checkbox"/>	<input type="checkbox"/>	<input type="checkbox"/>	<input type="checkbox"/>	<input type="checkbox"/>

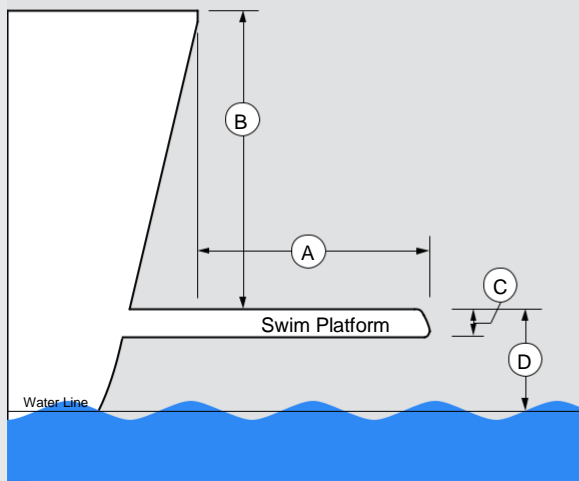
This looks like my vessel 




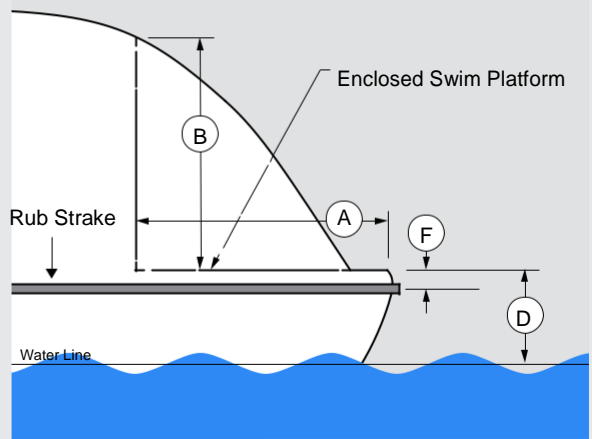
This looks like my vessel 



This looks like my vessel 




This looks like my vessel 

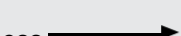



If your swim platform has a pointed edge, please measure the distance from the point to the top of the platform: see detail E in diagram below.

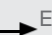
SWIM PLATFORM MEASUREMENTS


Depth  A

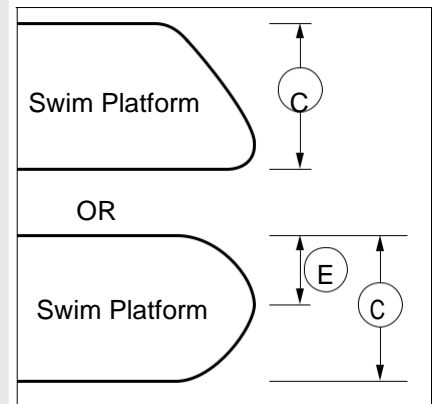
Height  B

Thickness  C

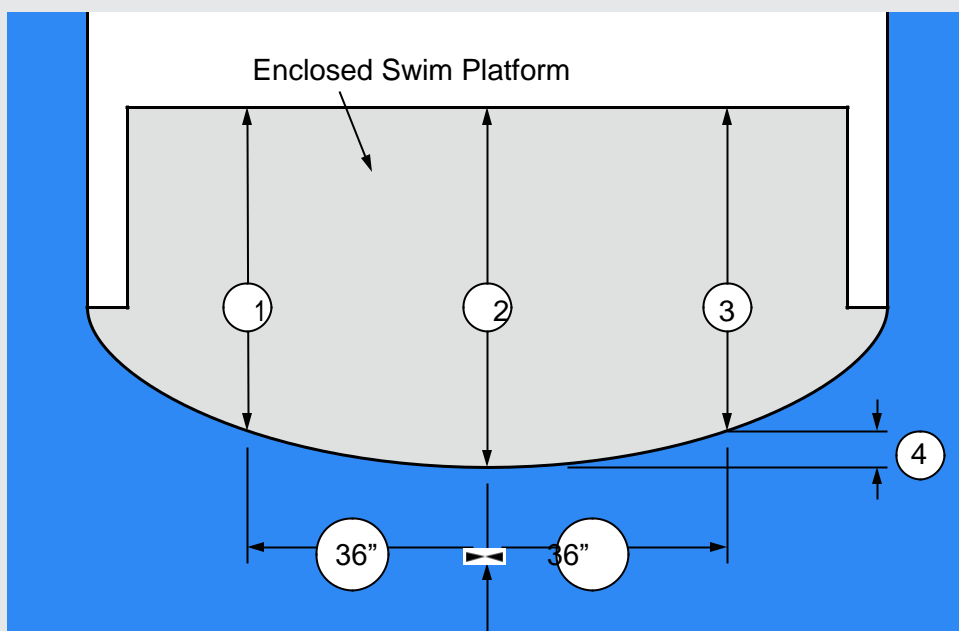
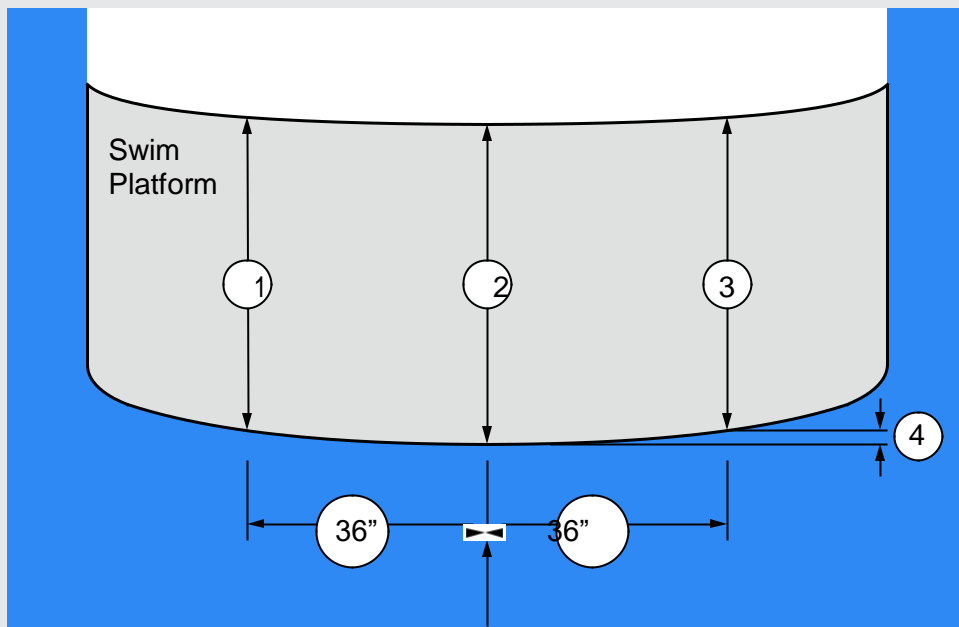
To water line  D

Point (if present)  E

Top to rub strake  F



SWIM PLATFORM DEPTH MEASUREMENTS



SWIM PLATFORM MEASUREMENTS

- Depth 36" port of center line → 1
- Depth at center line → 2
- Depth 36" starboard of center line → 3
- Curvature 36" from center line → 4

Please sketch any doors, lockers, ladders, and other fixtures on the transom and swim platform (with measurements) on appropriate diagram above.

DINGHY MEASUREMENTS

Beam \longrightarrow Length \longrightarrow

Transom thickness excluding any plates and/or lip \longrightarrow

Tube diameter \longrightarrow Top of tube to top of transom \longrightarrow

Is transom higher than top of tube? \longrightarrow Yes No

Tube length from aft of transom to aft end of tube \longrightarrow

Steering console \longrightarrow Yes No Latch pad color \longrightarrow Grey White

Refer to the next page for the following measurements

Engine mount hole pattern \longrightarrow 2-bolt 4-bolt slotted

Bolt-hole & slot width \longrightarrow A B
(hole/slot centers)

Narrowest point of engine mount \longrightarrow C

Distance to bolt hole(s) \longrightarrow D E F G
(hole centers)

Distance to top of slot \longrightarrow H

Length of slot \longrightarrow I

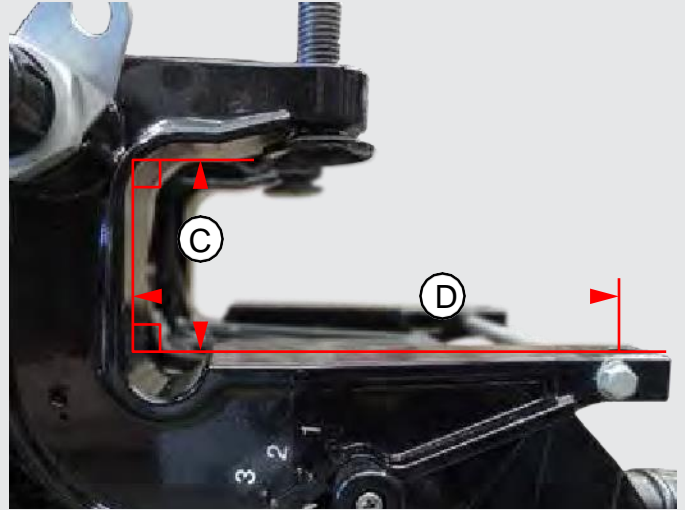
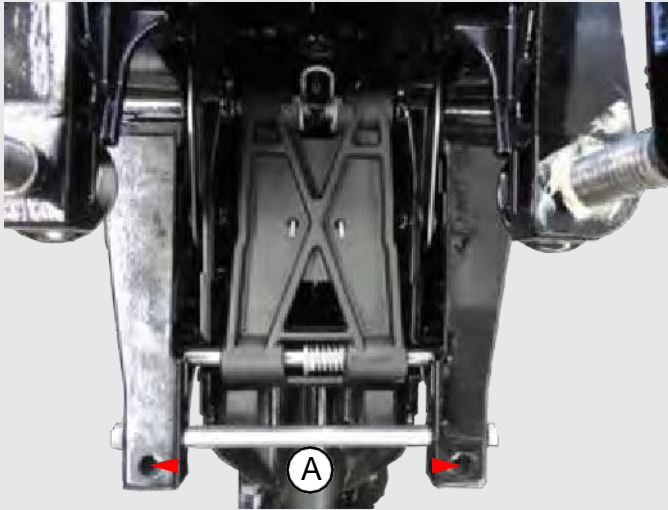
**Please submit this form either by fax or email.
Contact us if you require assistance completing the form.**



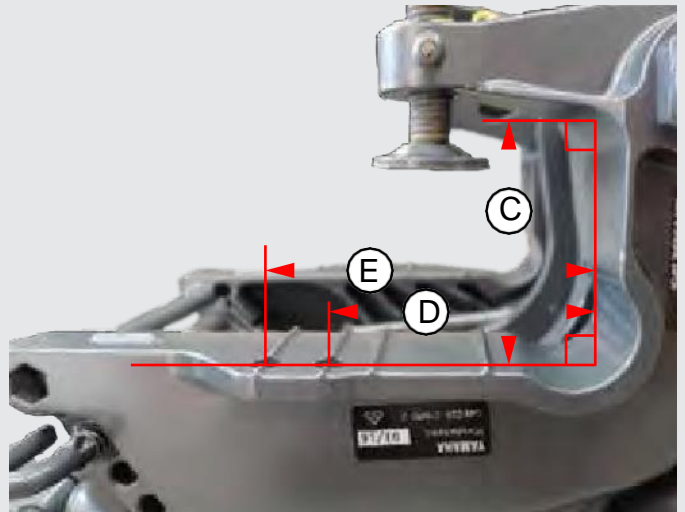
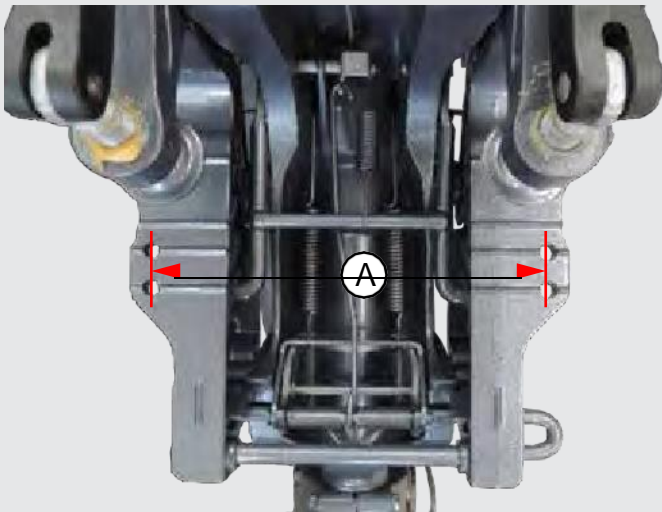
Phone: 604-946-0551
 Fax: 604-946-6665
 Toll Free: 1-866-732-9473
 Email: stuart@seawisemarine.com

Note: Sea Wise Marine is not responsible for any costs incurred due to incorrect or missing information.

My dinghy motor has 2-bolt pattern



My dinghy motor has 4-bolt pattern



My dinghy motor has slot pattern

